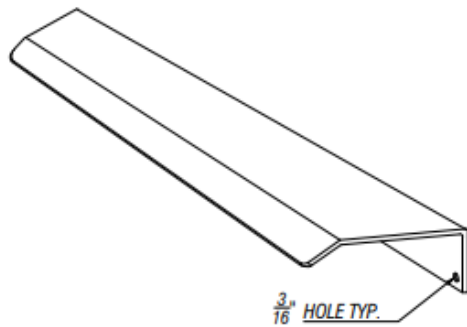


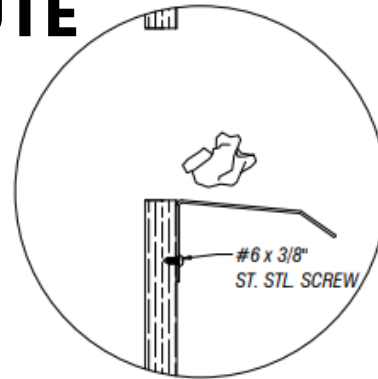


ARCH HARDWARE

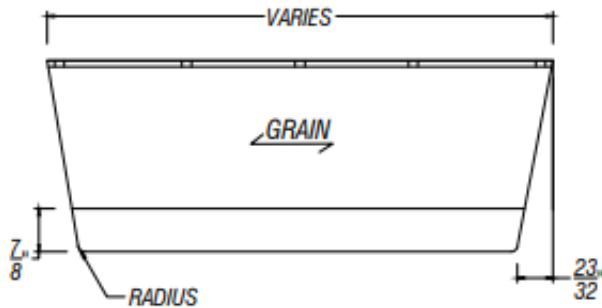
TRASH CHUTE



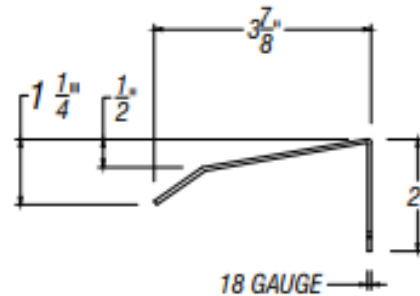
3-D VIEW



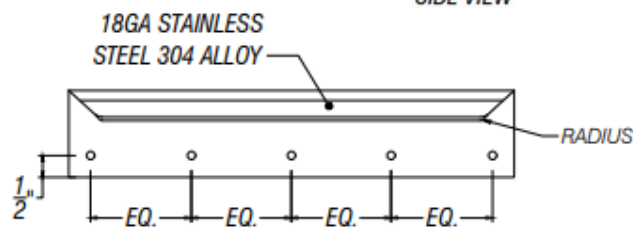
INSTALLATION



TOP VIEW



SIDE VIEW



FRONT VIEW

PART #	FINISH	SIZE	MATERIAL
R45-1078	Satin (#4 brush)	10 7/8" X 3 7/8" X 2"	Stainless Steel #304 alloy
R45-1178		11 7/8" X 3 7/8" X 2"	
R45-1378		13 7/8" X 3 7/8" X 2"	
R45-1478		14 7/8" X 3 7/8" X 2"	
R45-1578		15 7/8" X 3 7/8" X 2"	
R45-1778		17 7/8" X 3 7/8" X 2"	
R45-1978		19 7/8" X 3 7/8" X 2"	
R45-2378		23 7/8" X 3 7/8" X 2"	



Phone
(800)-679-2614



Email
webstore@archhardware.net



Address
303 Maler Rd., Sealy, TX 77474