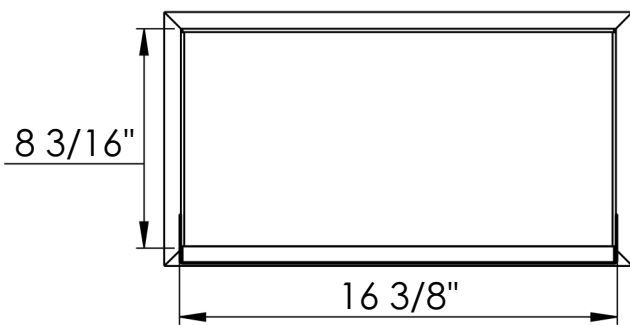


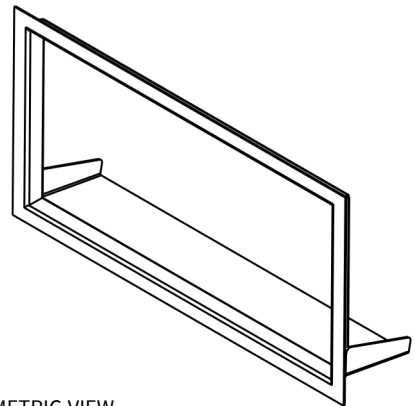


ARCH HARDWARE

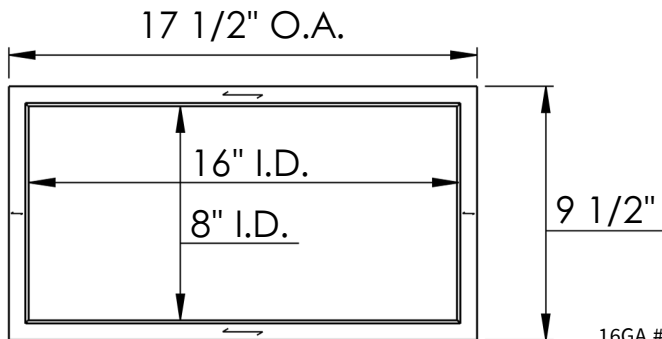
DOOR MOUNT FRAME WITH CHUTE AND DRIP EDGE



REAR VIEW

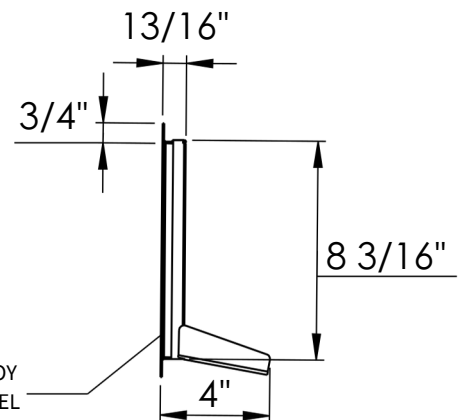


ISOMETRIC VIEW



FRONT VIEW

↔ = GRAIN DIRECTION



RIGHT VIEW

PART#	FINISH	SIZE	MATERIAL
R60-816-4	Satin(#4 brush)	8"x 16" x 4"	Stainless Steel #304 alloy
R60-816-4-B	Matte Black Powder Coat		



Phone
(800)-679-2614



Email
webstore@archhardware.net



Address
303 Maler Rd., Sealy, TX 77474