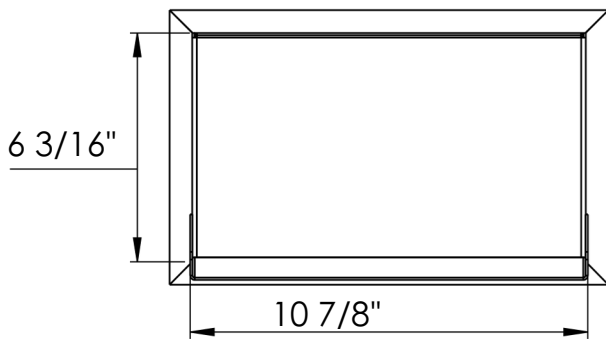


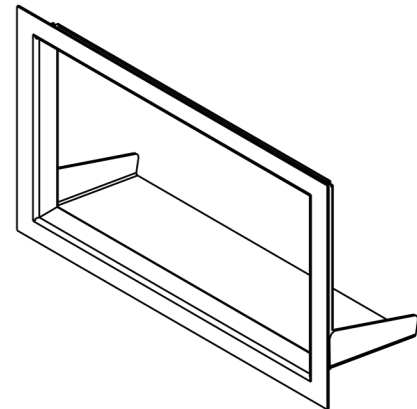


# ARCH HARDWARE

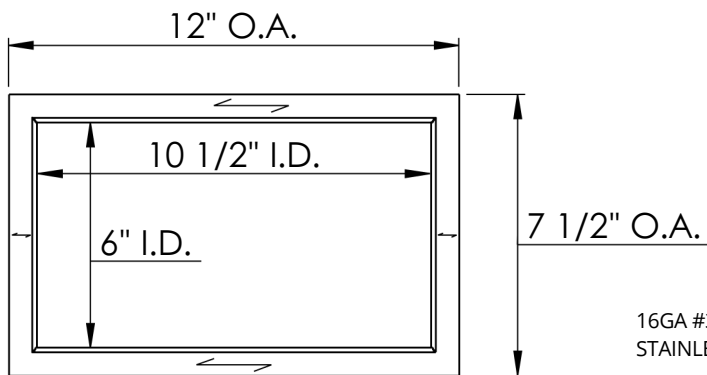
## DOOR MOUNT FRAME WITH CHUTE AND DRIP EDGE



REAR VIEW

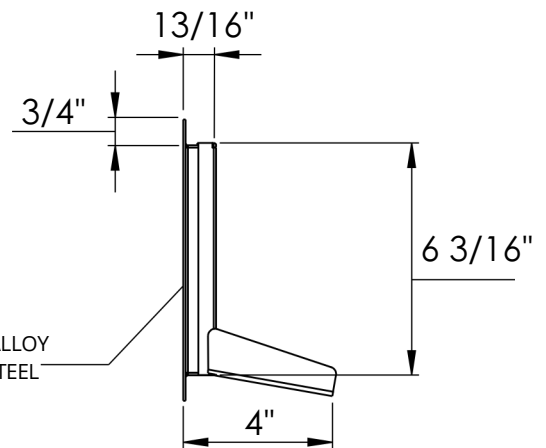


ISOMETRIC VIEW



FRONT VIEW

↔ = GRAIN DIRECTION



RIGHT VIEW

16GA #304 ALLOY  
STAINLESS STEEL

PART#	FINISH	SIZE	MATERIAL
R60-610.5-4	Satin (#4 brush)	6" x 10.5" x 4"	Stainless Steel #304 alloy
R60-610.5-4-B	Matte Black Powder coat		



Phone  
(800)-679-2614



Email  
webstore@archhardware.net



Address  
303 Maler Rd., Sealy, TX 77474