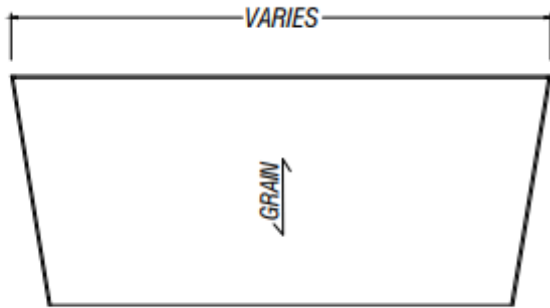


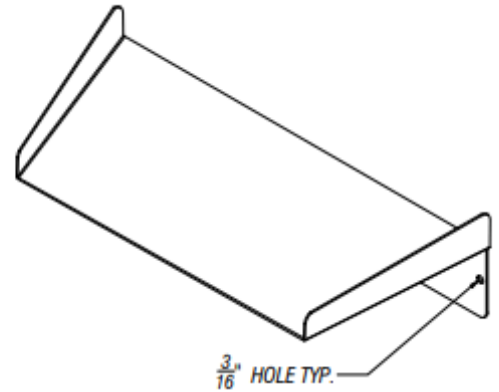


ARCH HARDWARE

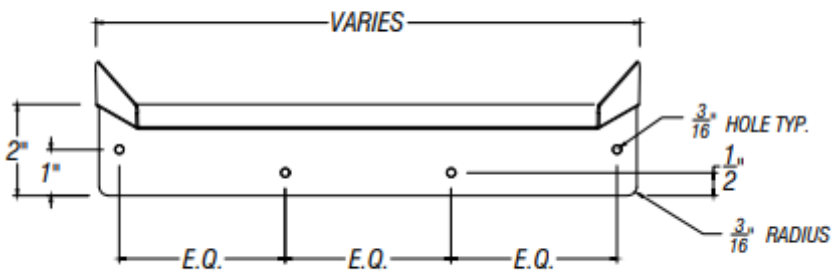
TAPERED TRASH CHUTE WITH DRIP EDGE



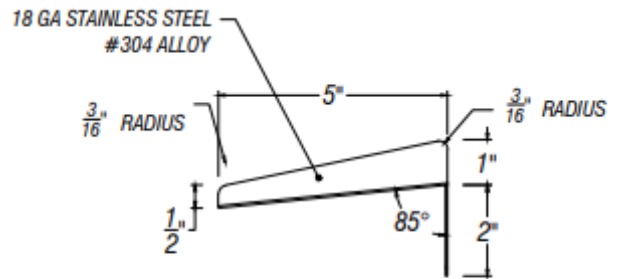
TOP VIEW



ISOMETRIC VIEW



FRONT VIEW



SIDE VIEW

PART #	FINISH	SIZE	MATERIAL
R54-1078	Satin (#4 brush)	10 7/8" X 5" X 3"	Stainless Steel #304 alloy
R54-1178		11 7/8" X 5" X 3"	
R54-1378		13 7/8" X 5" X 3"	
R54-1478		14 7/8" X 5" X 3"	
R54-1578		15 7/8" X 5" X 3"	
R54-1778		17 7/8" X 5" X 3"	
R54-1978		19 7/8" X 5" X 3"	
R54-2378		23 7/8" X 5" X 3"	



Phone
(800)-679-2614



Email
webstore@archhardware.net



Address
303 Maler Rd., Sealy, TX 77474