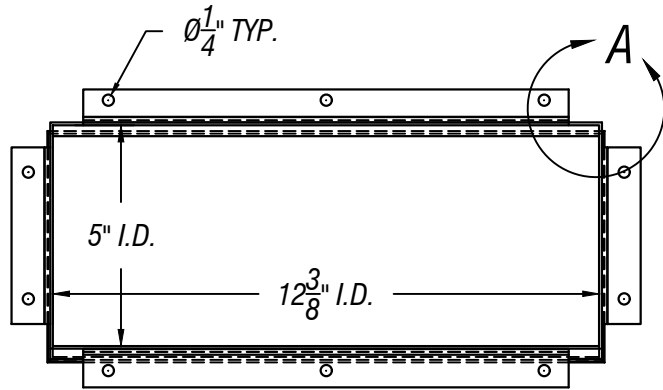
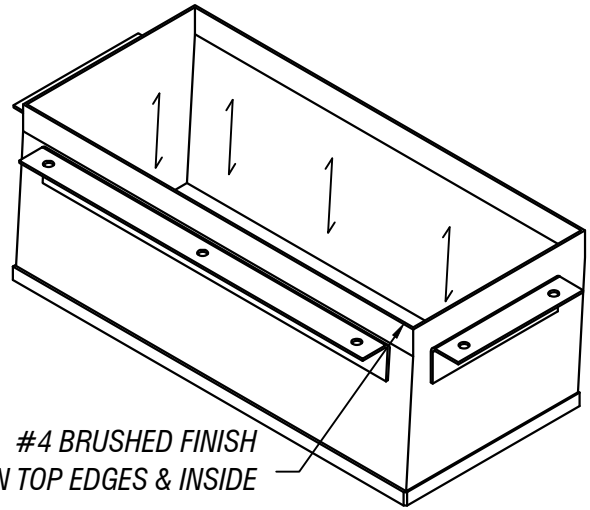


UNDER MOUNT TRASH RING



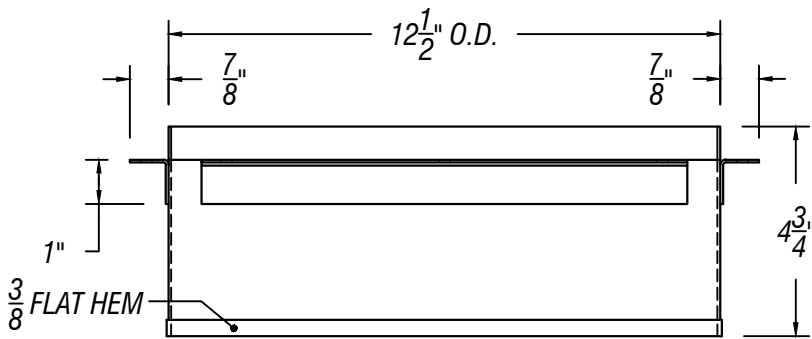
TOP VIEW

NTS



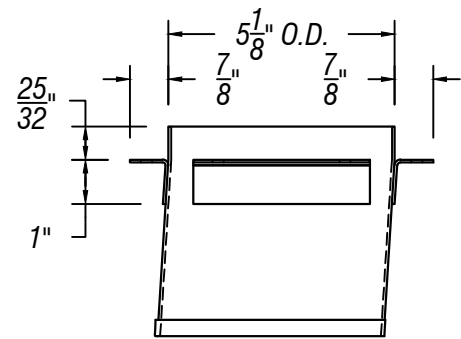
ISOMETRIC VIEW

NTS



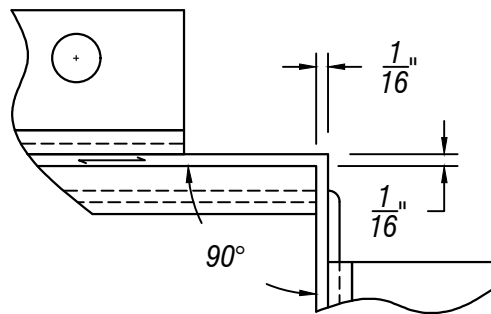
FRONT VIEW

NTS



SIDE VIEW

NTS



DETAIL- A

NTS

= GRAIN DIRECTION

PART #	FINISH SCHEDULE	DRAWN : GV
R51-512	SATIN STAINLESS STEEL #304 ALLOY	CHECKED : RD
		DATE : 07/12/2018

