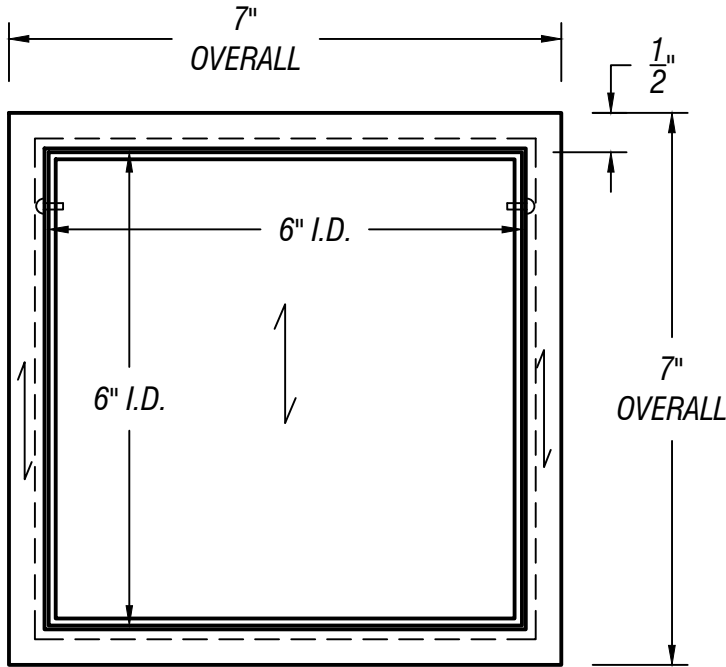
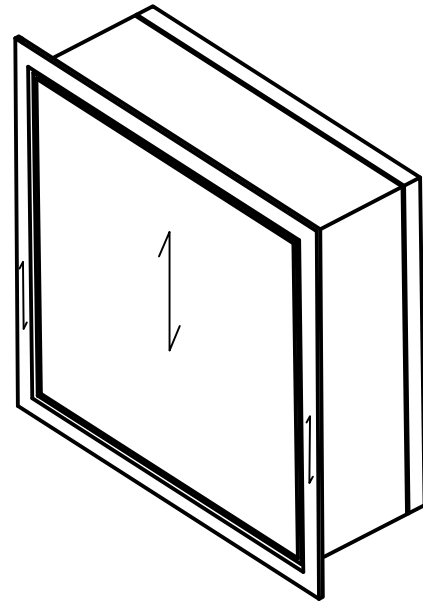


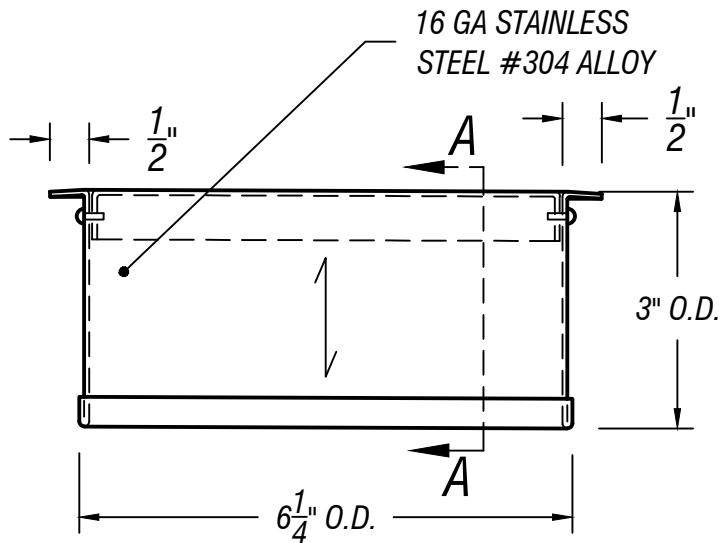
SQUARE TRASH RING WITH LID



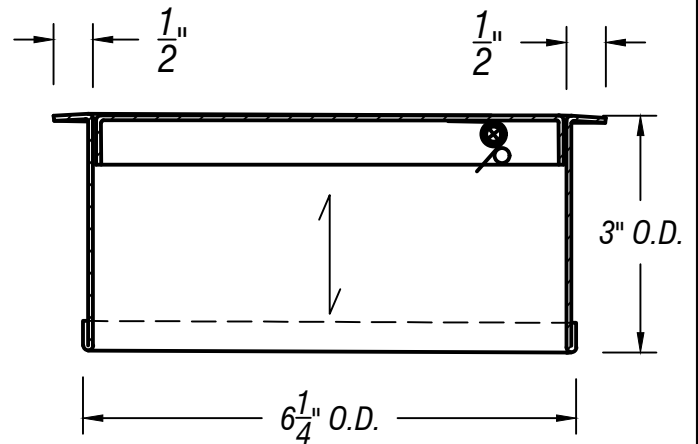
TOP VIEW



ISOMETRIC VIEW



SIDE VIEW



SECTION A-A

= GRAIN DIRECTION

PART#	FINISH SCHEDULE	DRAWN : GV	 ARCH HARDWARE, INC. "WHERE IDEAS MEET METAL"
R47-66-3	SATIN STAINLESS STEEL #304 ALLOY	CHECKED : RD	
		DATE : 07/12/2017	