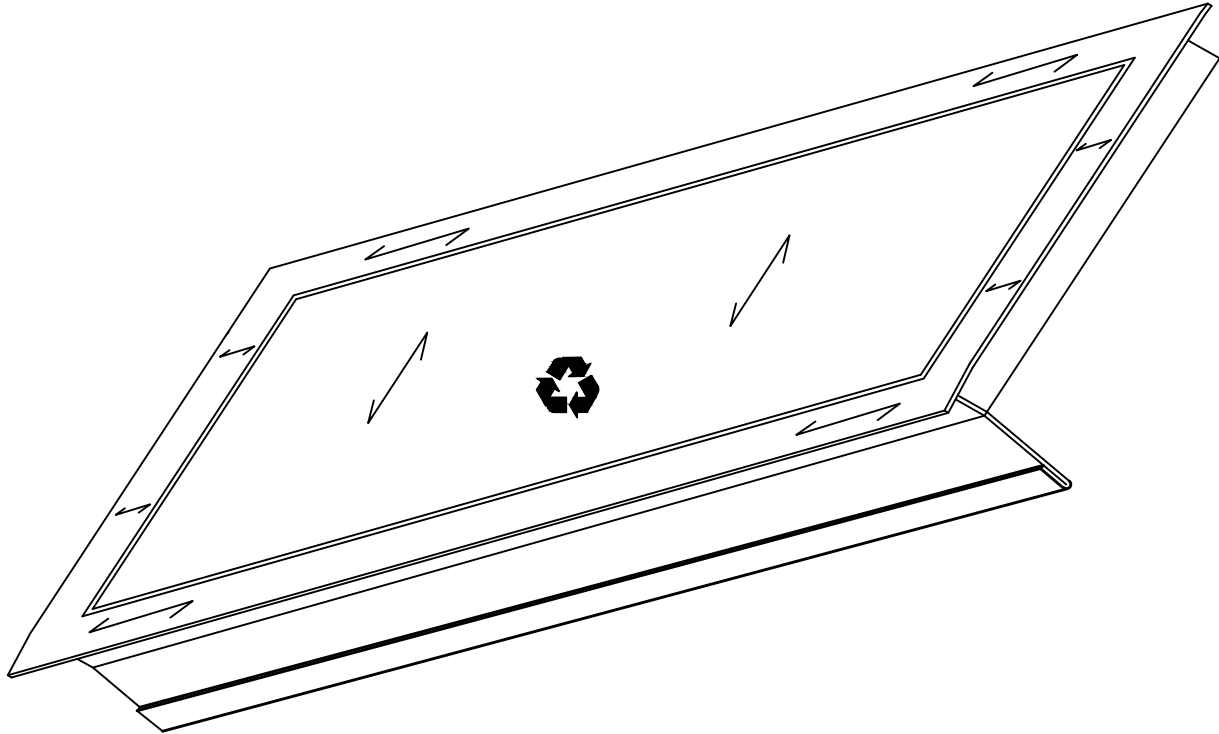
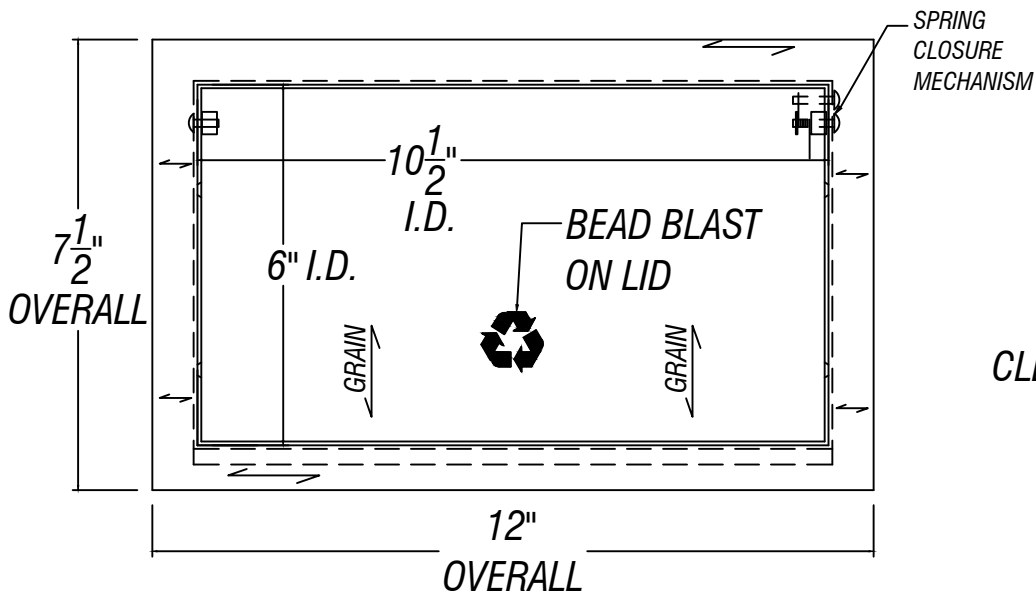


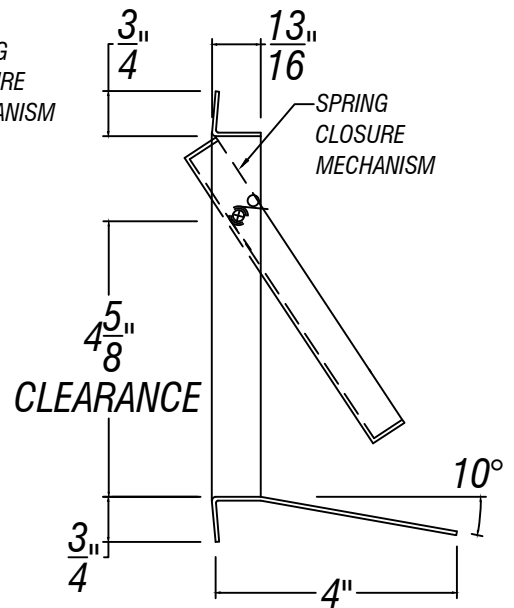
SLIM TRASH RING WITH LID AND BUILT-IN CHUTE



ISOMETRIC VIEW



FRONT VIEW



SECTION VIEW

PART #

FINISH SCHEDULE

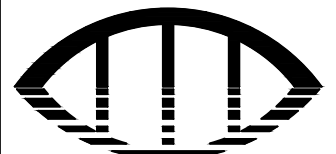
R47-610.5BBR

SATIN STAINLESS #304 ALLOY

DRAWN:
GV

CHECKED:
RD

REV. DATE:
10/12/2016



ARCH HARDWARE, INC.
"WHERE IDEAS MEET METAL"