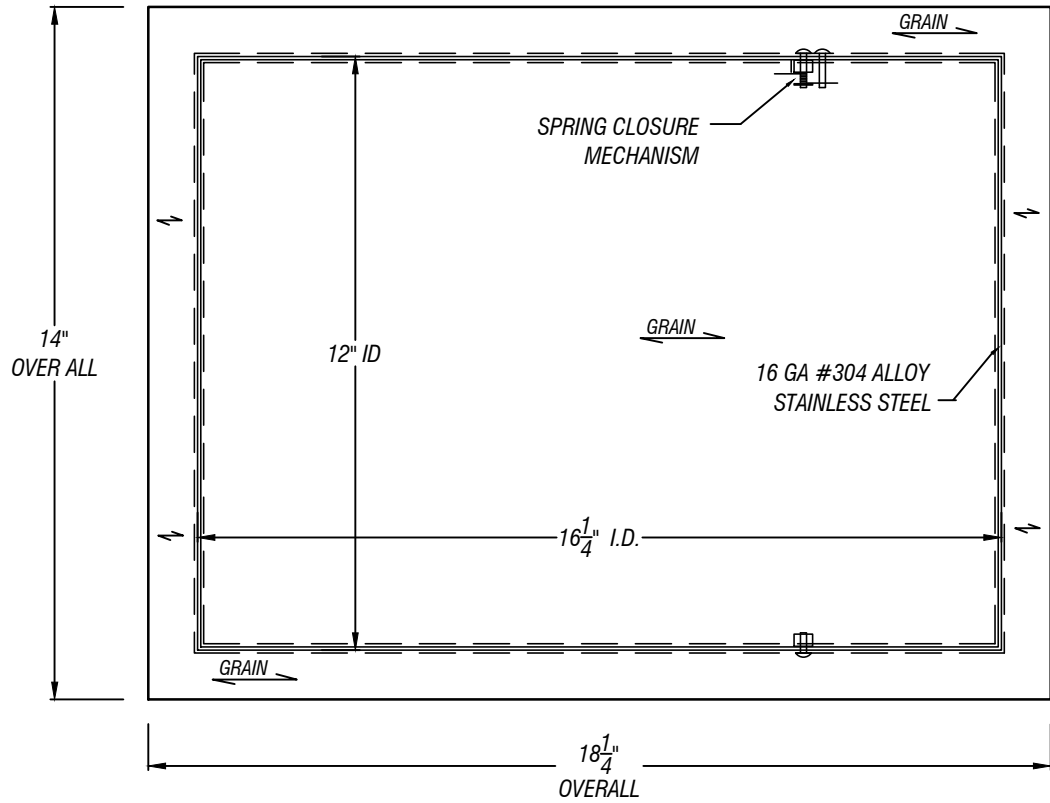
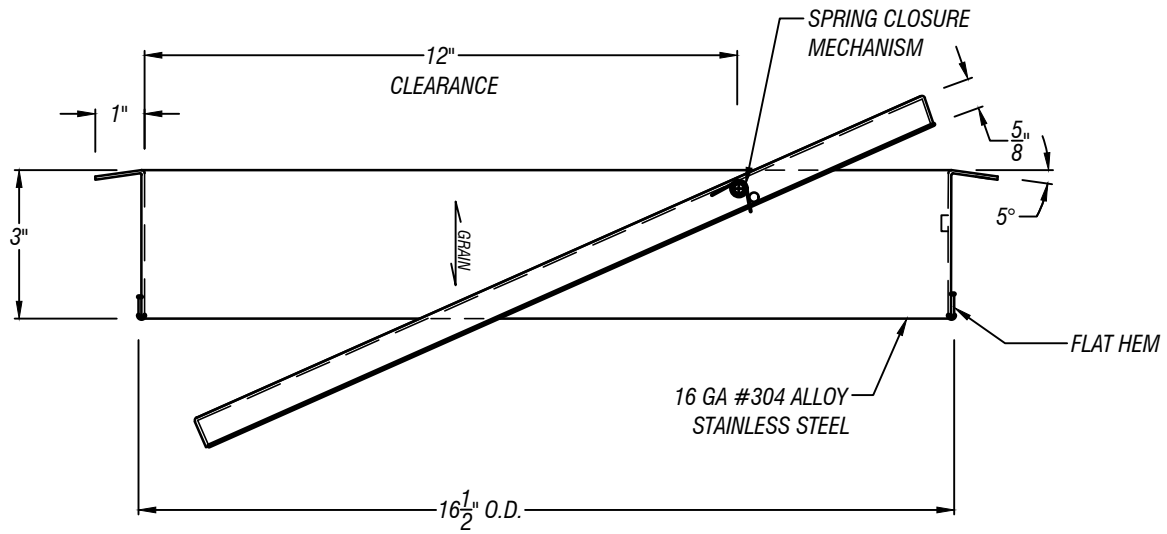


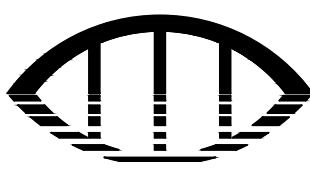
# LARGE RECTANGULAR TRASH RING WITH LID



TOP VIEW



SECTION VIEW

<b>JOB:</b>	<b>FINISH SCHEDULE</b>	<b>DRAWN:</b> GV	 ARCH HARDWARE, INC. "WHERE IDEAS MEET METAL"
<b>R47 -1216</b>	SATIN STAINLESS STEEL #304 ALLOY	<b>CHECKED:</b> RD	
		<b>DATE:</b> 02/19/2018	