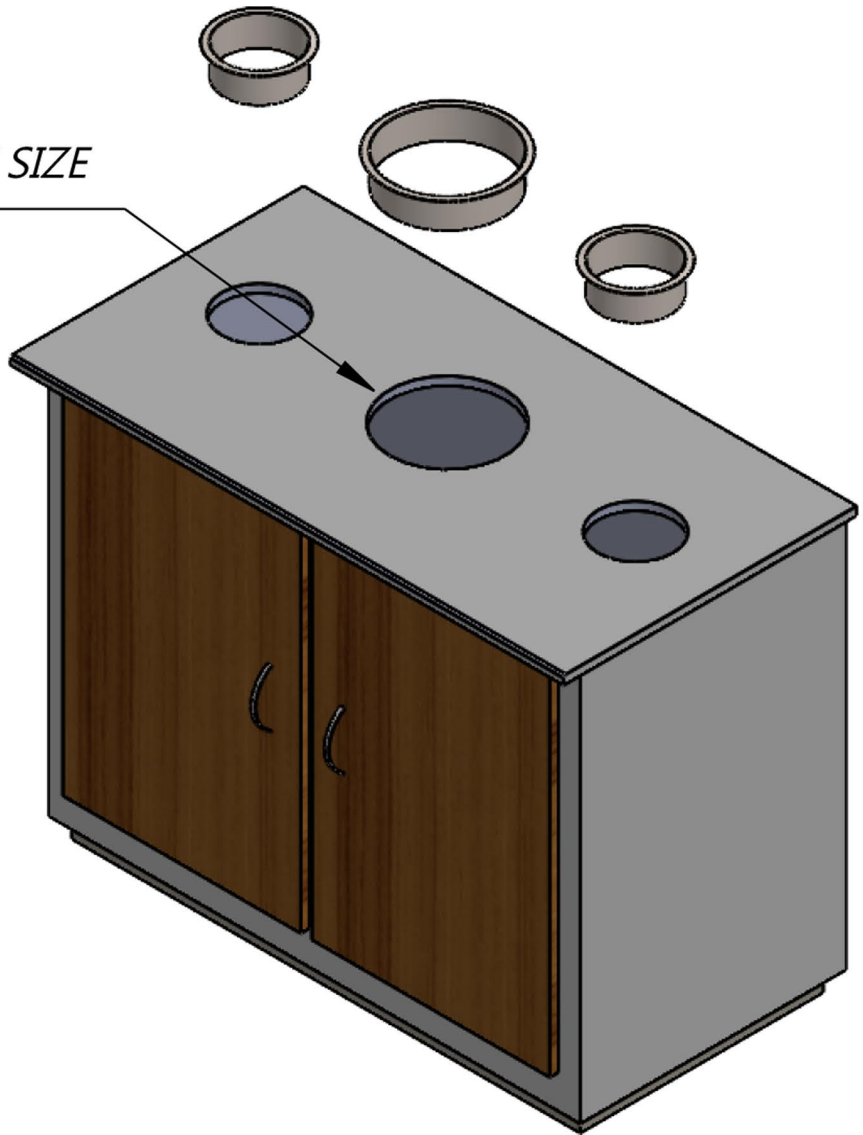


DEEP ROUND TRASH RING RECOMMENDED HOLE SIZE

RECOMMENDED HOLE SIZE
DIAMETER: A



ISOMETRIC VIEW

| PART#: | T.R. SIZE | SIZE FOR A | FINISH SCHEDULE | DRAWN: JK |
|------------|-----------|------------|------------------------------|---------------------|
| R615-6.375 | 6 3/8" | 6 3/4" | 18 Ga. Satin stainless steel | CHECKED: RD |
| R615-10 | 10" | 10 3/8" | #304 Alloy | DATE: 11/25/2025 |

