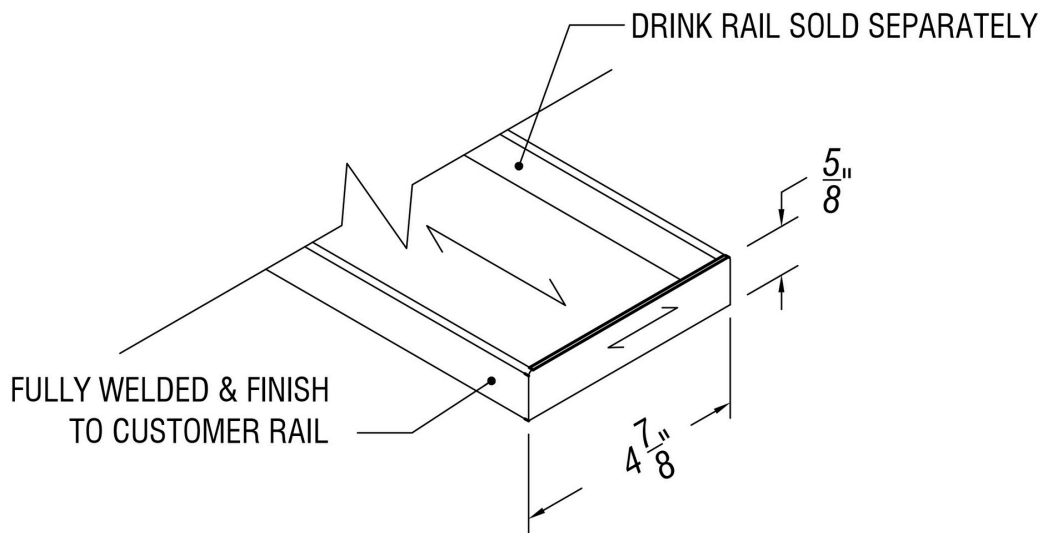




ARCH HARDWARE

END PLATES FOR TABLE MOUNT SCUPPER 4 7/8" OVERALL



ISOMETRIC VIEW

↑ = GRAIN DIRECTION

PART #	MATERIAL	FINISH
DR462L-EC-478 OR DR462R-EC-478	16 Ga. Stainless Steel #304 alloy	Satin (#4 Brush)

L= Left R= Right



Phone
(800)-679-2614



Email
webstore@archhardware.net



Address
303 Maler Rd., Sealy, TX 77474