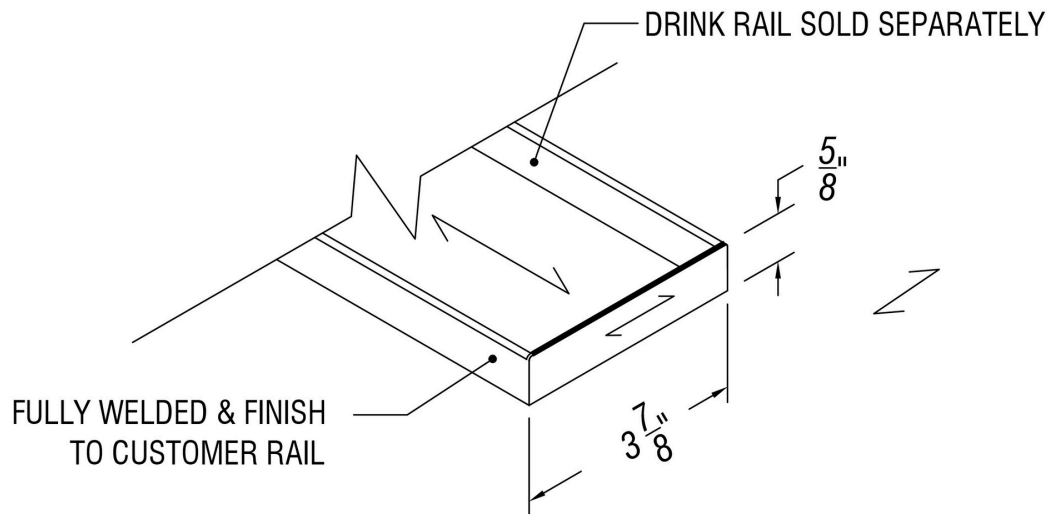




# ARCH HARDWARE

## END PLATES FOR TABLE MOUNT SCUPPER 3 7/8" OVERALL



ISOMETRIC VIEW

PART #	MATERIAL	FINISH
DR462L-EC-378 OR DR462R-EC-378	16 Ga. Stainless Steel #304 alloy	Satin (#4 Brush)

L= Left R= Right



Phone  
(800)-679-2614



Email  
[webstore@archhardware.net](mailto:webstore@archhardware.net)



Address  
303 Maler Rd., Sealy, TX 77474