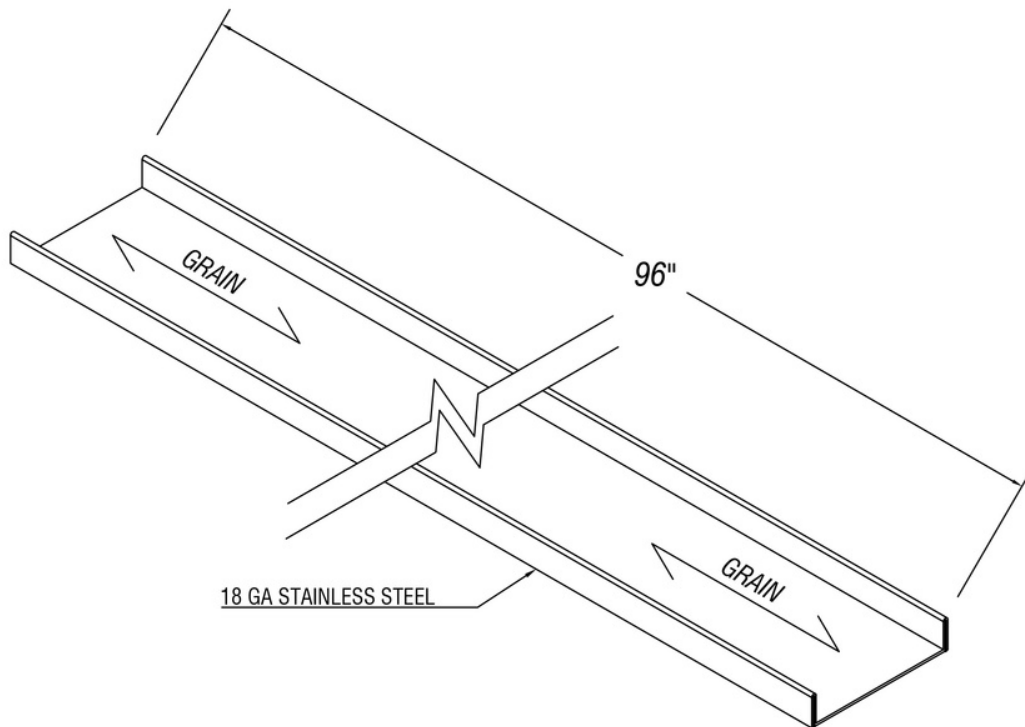


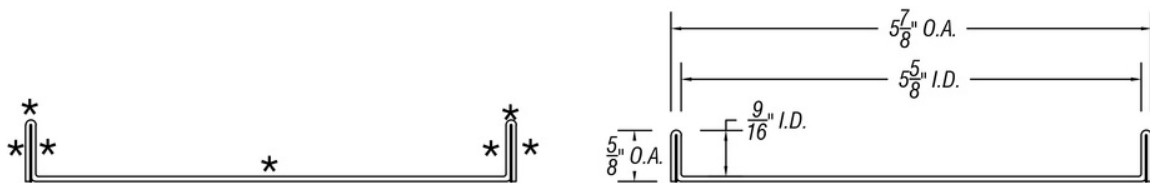


# ARCH HARDWARE

## TABLE MOUNT SCUPPER 5 7/8 " OVERALL



ISOMETRIC VIEW



FINISH SCHEDULE

\* = FINISH SIDES

SIDE VIEW

↑ = GRAIN DIRECTION

PART #	MATERIAL	FINISH
DR462-578	18 Ga. Stainless Steel #304 alloy	Satin (#4 Brush)



Phone  
(800)-679-2614



Email  
webstore@archhardware.net



Address  
303 Maler Rd., Sealy, TX 77474