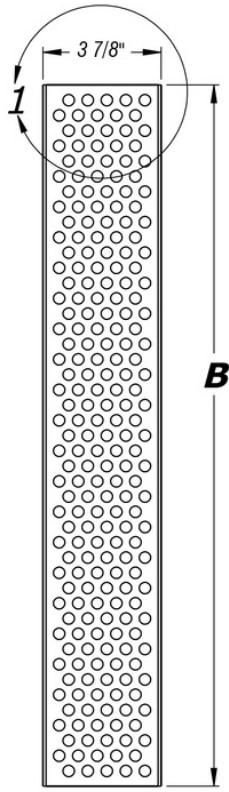


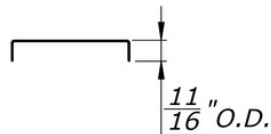


# ARCH HARDWARE

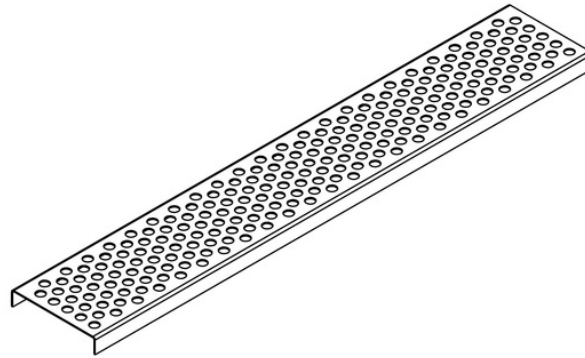
## DRIP TRAY FOR RECTANGULAR DRINK RAIL



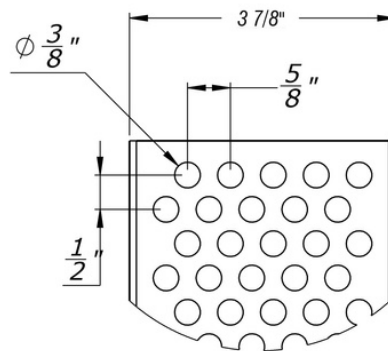
TOP VIEW



FRONT VIEW



ISOMETRIC VIEW



DETAIL-1

PART #	SIZE FOR B	MATERIAL	FINISH
DR461-DTP-4-2378	23 7/8"	20 Ga. Stainless Steel #304 alloy	Satin (#4 Brush)
DR461-DTP-4-4778	47 7/8"		
DR461-DTP-4-5878	58 7/8"		
DR461RC-DTP-4-23516	23 5/16"	19 Ga. Copper #110 alloy	Raw with wax
DR461RC-DTP-4-47	47"		
DR461HC-DTP-4-23516	23 5/16"	19 Ga. Copper #110 alloy	Hairline with wax
DR461HC-DTP-4-47	47"		
DR461BC-DTP-4-23516	23 5/16"	18 Ga. Brass #260 alloy	Satin with clear powder coat
DR461BC-DTP-4-47	47"		



Phone  
(800)-679-2614



Email  
webstore@archhardware.net



Address  
303 Maler Rd., Sealy, TX 77474