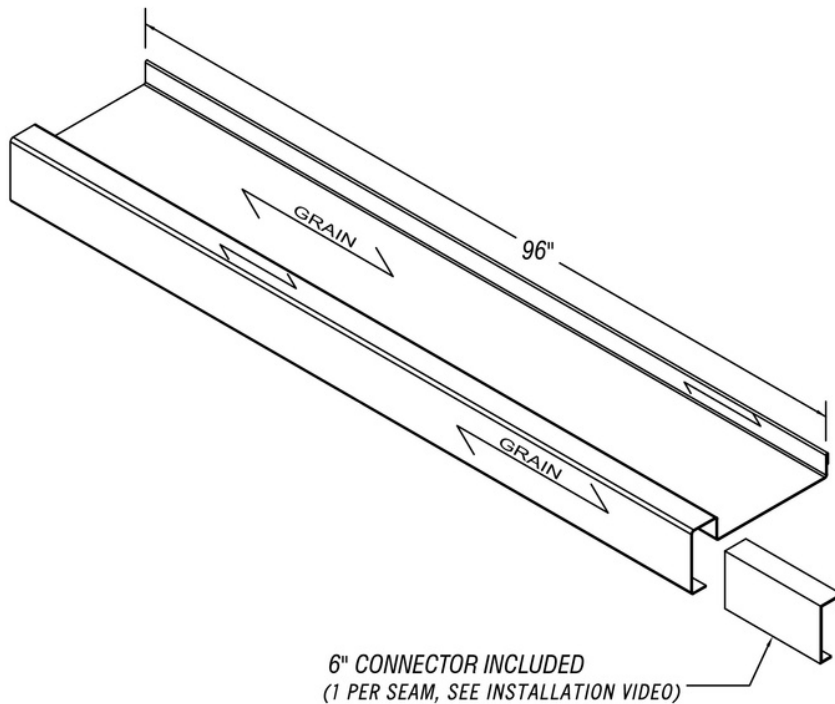




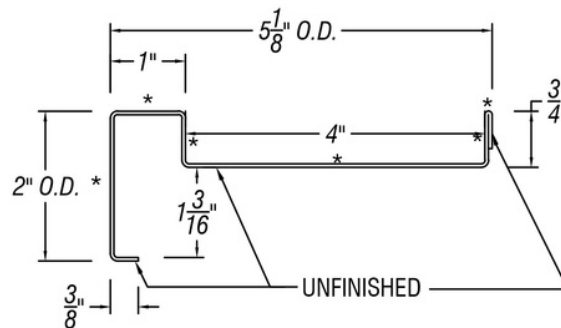
ARCH HARDWARE

RECTANGULAR DRINK RAIL



ISOMETRIC VIEW

* = FINISH



SIDE VIEW

PART #	MATERIAL	FINISH
DR461-4	18 Ga. Stainless Steel #304 alloy	Satin (#4 Brush)
DR461RC-4	16 Ga. Copper #110 alloy	Raw with wax
DR461HC-4	16 Ga. Copper #110 alloy	Hairline with wax
DR461BC-4	18 Ga. Brass #260 alloy	Satin with clear powder coat



Phone
(800)-679-2614



Email
webstore@archhardware.net



Address
303 Maler Rd., Sealy, TX 77474