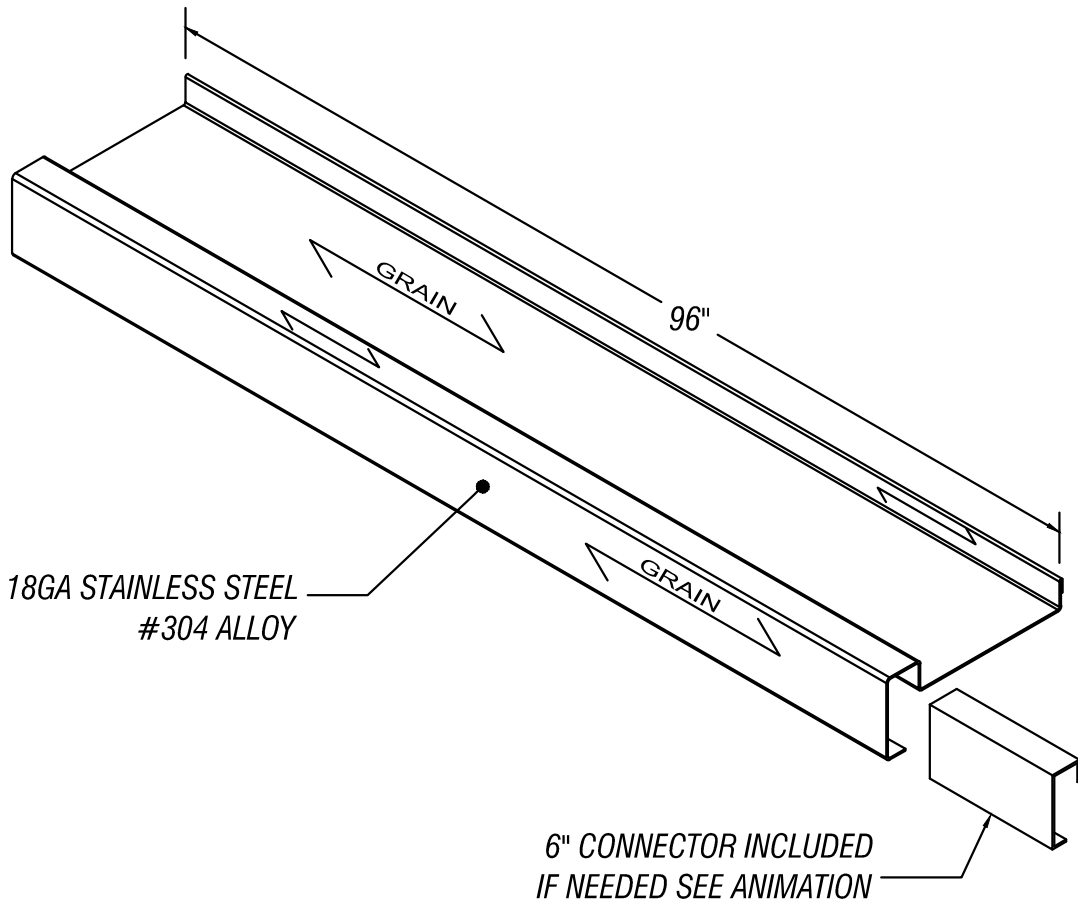
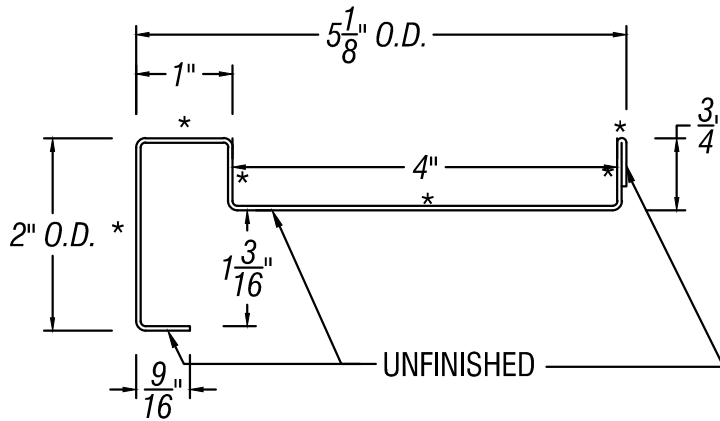


DRINK RAIL - RECTANGULAR




ISOMETRIC VIEW

* = #4 BRUSHED FINISH



SIDE VIEW

| | | | |
|-----------------|----------------------------------|-----------------------------|--|
| PART # | FINISH SCHEDULE | DRAWN: GV |  ARCH HARDWARE, INC. "WHERE IDEAS MEET METAL" |
| DR 461-4 | SATIN STAINLESS STEEL #304 ALLOY | CHECKED: RD | |
| | | DATE: 08/02 /2017 | |