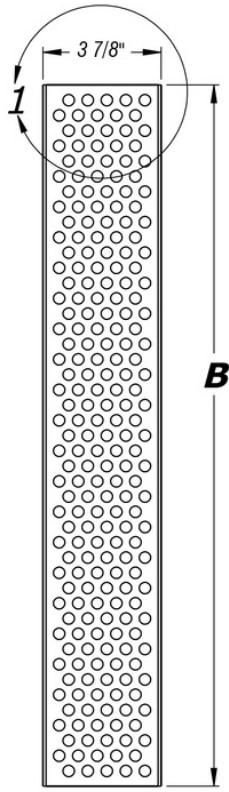


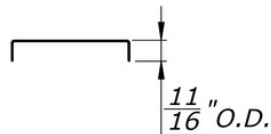


ARCH HARDWARE

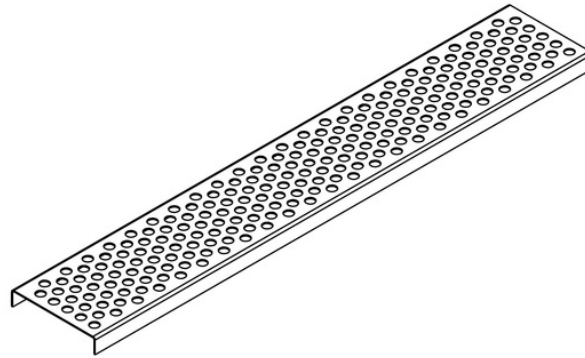
DRIP TRAY FOR DOUBLE HEM DRINK RAIL



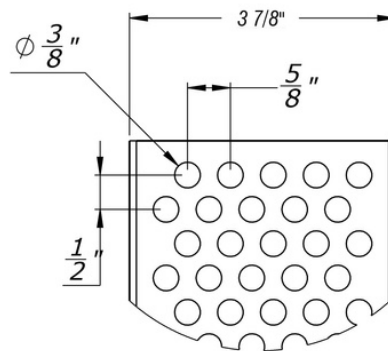
TOP VIEW



FRONT VIEW



ISOMETRIC VIEW



DETAIL-1

PART #	SIZE FOR B	MATERIAL	FINISH
DR460-DTP-4-2378	23 7/8"	20 Ga. Stainless Steel #304 alloy	Satin (#4 Brush)
DR460-DTP-4-4778	47 7/8"		
DR460-DTP-4-5878	58 7/8"		
DR460RC-DTP-4-23516	23 5/16"	19 Ga. Copper #110 alloy	Raw with wax
DR460RC-DTP-4-47	47"		
DR460HC-DTP-4-23516	23 5/16"	19 Ga. Copper #110 alloy	Hairline with wax
DR460HC-DTP-4-47	47"		
DR460BC-DTP-4-23516	23 5/16"	18 Ga. Brass #260 alloy	Satin with clear powder coat
DR460BC-DTP-4-47	47"		



Phone
(800)-679-2614



Email
webstore@archhardware.net



Address
303 Maler Rd., Sealy, TX 77474