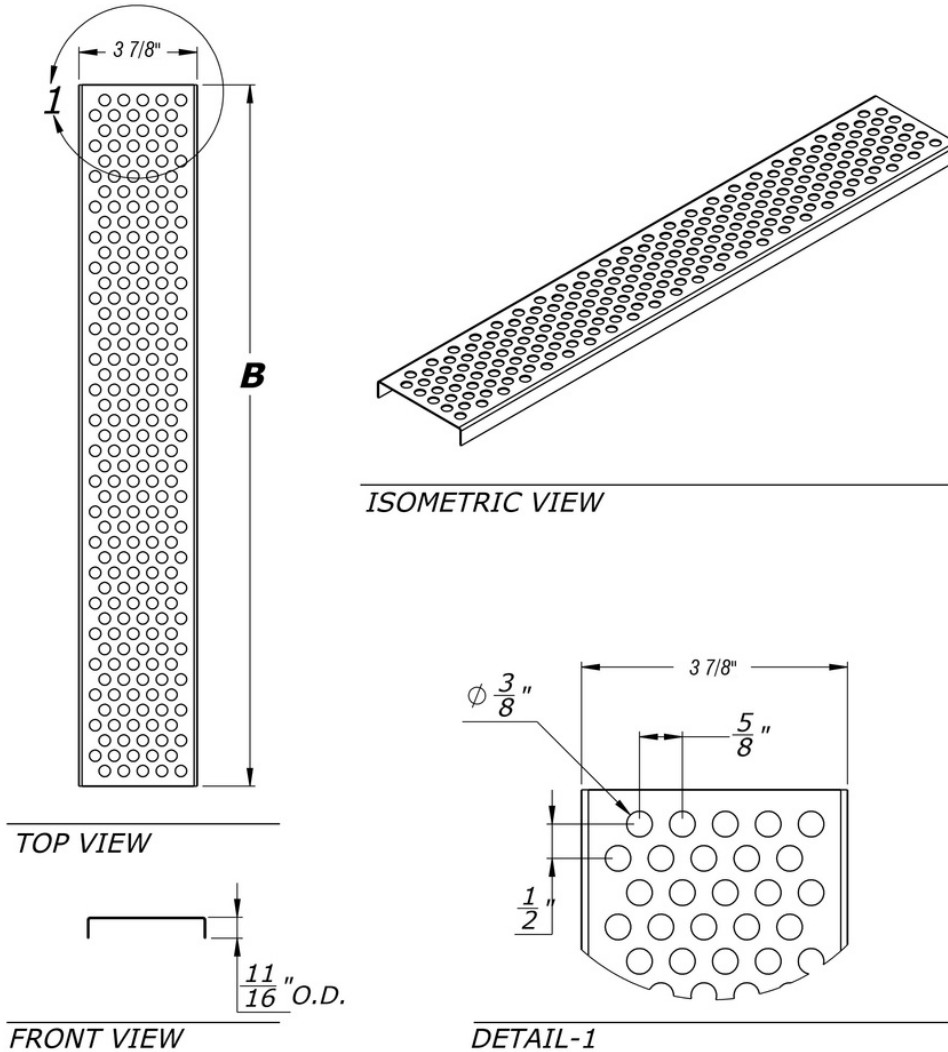




# ARCH HARDWARE

## DRIP TRAY FOR SQUARE DRINK RAIL - 4" CHANNEL



PART #	SIZE FOR B	MATERIAL	FINISH
DR459-DTP-4-2378	23 $\frac{7}{8}$ "	20 Ga. Stainless Steel #304 alloy	Satin (#4 Brush)
DR459-DTP-4-4778	47 $\frac{7}{8}$ "		
DR459-DTP-4-5878	58 $\frac{7}{8}$ "		
DR459RC-DTP-4-23516	23 $\frac{5}{16}$ "	19 Ga. Copper #110 alloy	Raw with wax
DR459RC-DTP-4-47	47"		
DR459HC-DTP-4-23516	23 $\frac{5}{16}$ "	19 Ga. Copper #110 alloy	Hairline with wax
DR459HC-DTP-4-47	47"		
DR459BC-DTP-4-23516	23 $\frac{5}{16}$ "	18 Ga. Brass #260 alloy	Satin with clear powder coat
DR459BC-DTP-4-47	47"		



**Phone**  
(800)-679-2614



**Email**  
webstore@archhardware.net



**Address**  
303 Maler Rd., Sealy, TX 77474