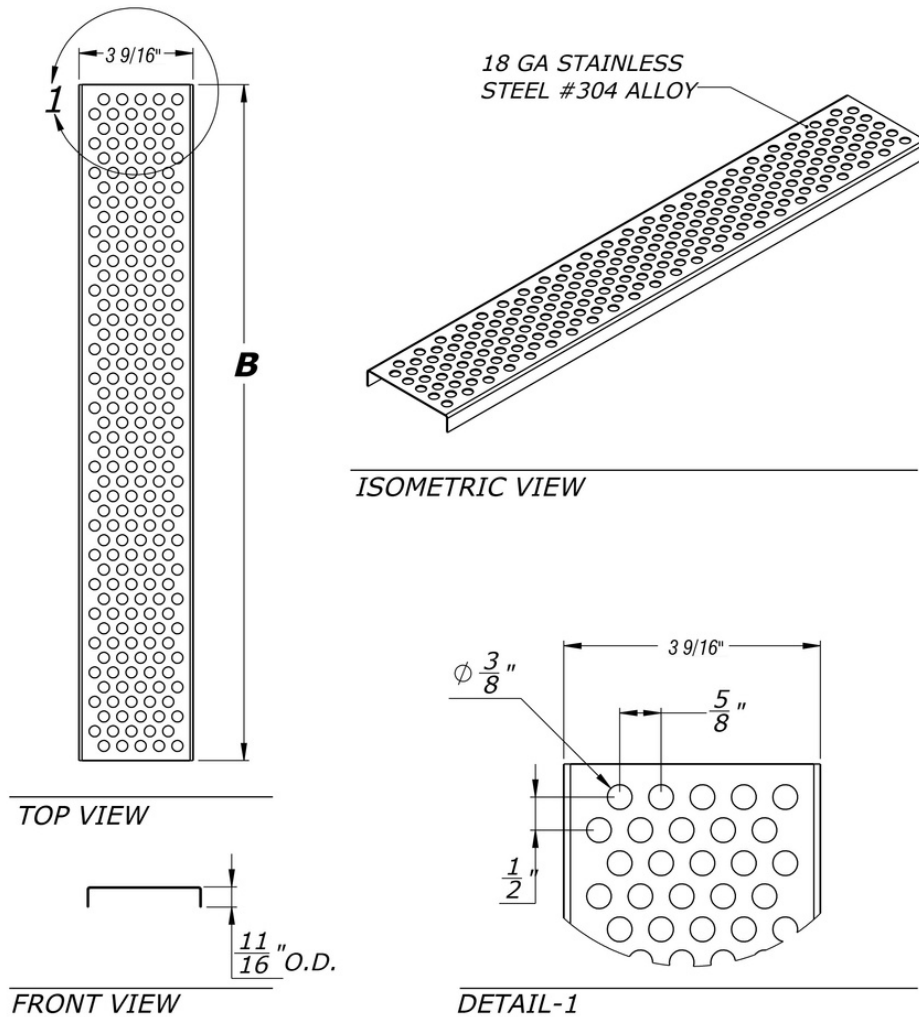




ARCH HARDWARE

DRIP TRAY FOR SQUARE DRINK RAIL 3 11/16" CHANNEL



PART #	SIZE FOR B	MATERIAL	FINISH
DR459-DTP-31116-2378	23 7/8"	20 Ga. Stainless Steel #304 alloy	Satin (#4 Brush)
DR459-DTP-31116-4778	47 7/8"		
DR459-DTP-31116-5878	58 7/8"		
DR459RC-DTP-31116-23516	23 5/16"	19 Ga. Copper #110 alloy	Raw with wax
DR459RC-DTP-31116-47	47"		
DR459HC-DTP-31116-23516	23 5/16"	19 Ga. Copper #110 alloy	Hairline with wax
DR459HC-DTP-31116-47	47"		



Phone
(800)-679-2614



Email
webstore@archhardware.net



Address
303 Maler Rd., Sealy, TX 77474