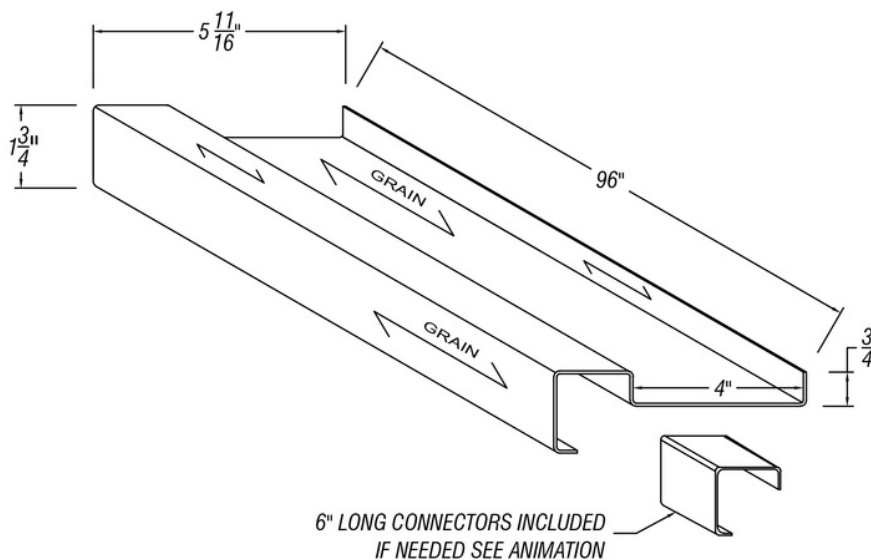




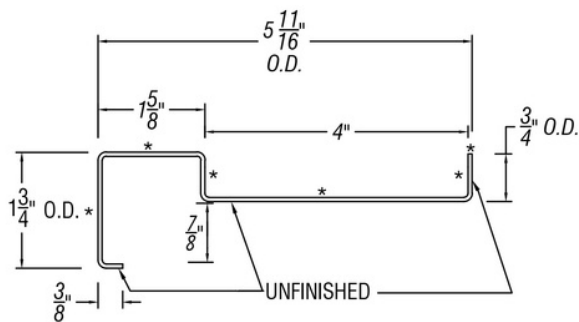
ARCH HARDWARE

SQUARE DRINK RAIL - 4" CHANNEL



ISOMETRIC VIEW

* = #4 BRUSHED FINISH



SIDE VIEW

PART #	MATERIAL	FINISH
DR459-4	18 Ga. Stainless Steel #304 alloy	Satin (#4 Brush)
DR459RC-4	16 Ga. Copper #110 alloy	Raw with wax
DR459HC-4	16 Ga. Copper #110 alloy	Hairline with wax
DR459BC-4	18 Ga. Brass #260 alloy	Satin with clear powder coat



Phone
(800)-679-2614



Email
webstore@archhardware.net



Address
303 Maler Rd., Sealy, TX 77474