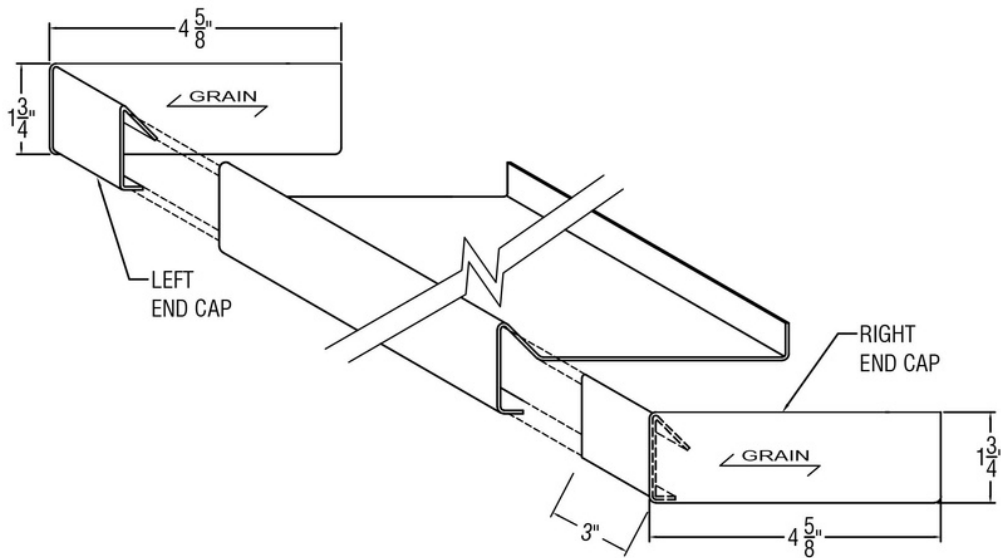




ARCH HARDWARE

SLOPED DRINK RAIL END CAPS 3 3/4" CHANNEL



ISOMETRIC VIEW

PART #	MATERIAL	FINISH
DR458L-EC-334 OR DR458R-EC-334	16 Ga. Stainless Steel #304 alloy	Satin (#4 Brush)
DR458LRC-EC-334 OR DR458RRC-EC-334	16 Ga. Copper #110 alloy	Raw with wax
DR458LHC-EC-334 OR DR458RHC-EC-334	16 Ga. Copper #110 alloy	Hairline with wax

L= Left R= Right



Phone
(800)-679-2614



Email
webstore@archhardware.net



Address
303 Maler Rd., Sealy, TX 77474