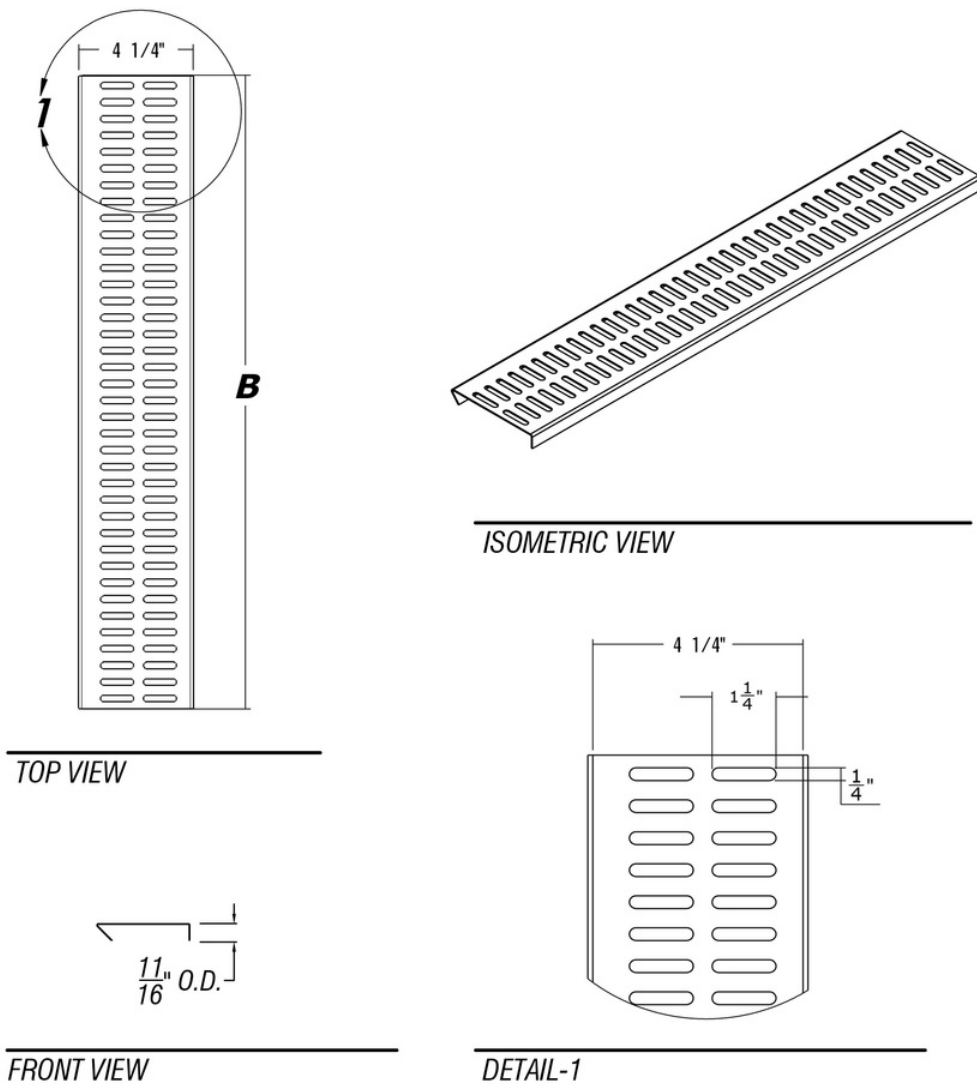




# ARCH HARDWARE

## DRIP TRAY FOR SLOPED DRINK RAIL 3 3/4" CHANNEL



| PART #               | SIZE FOR B | MATERIAL                          | FINISH            |
|----------------------|------------|-----------------------------------|-------------------|
| DR458-DT-334-2378    | 23 7/8"    | 20 Ga. Stainless Steel #304 alloy | Satin (#4 Brush)  |
| DR458-DT-334-4778    | 47 7/8"    |                                   |                   |
| DR458-DT-334-5878    | 58 7/8"    |                                   |                   |
| DR458RC-DT-334-23516 | 23 5/16"   | 19 Ga. Copper #110 alloy          | Raw with wax      |
| DR458RC-DT-334-47    | 47"        |                                   |                   |
| DR458HC-DT-334-23516 | 23 5/16"   | 19 Ga. Copper #110 alloy          | Hairline with wax |
| DR458HC-DT-334-47    | 47"        |                                   |                   |



**Phone**  
(800)-679-2614



**Email**  
webstore@archhardware.net



**Address**  
303 Maler Rd., Sealy, TX 77474