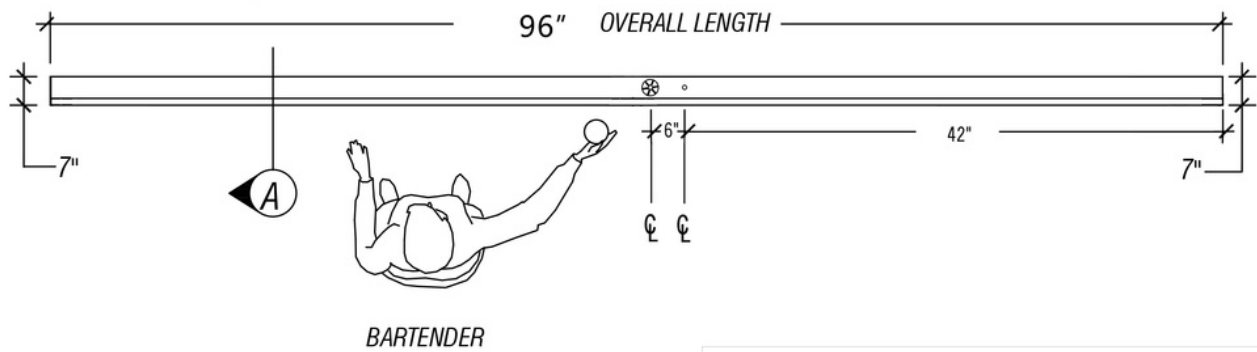
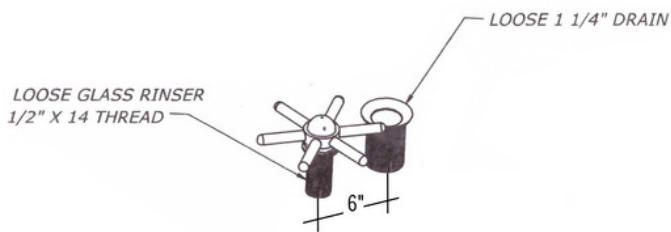


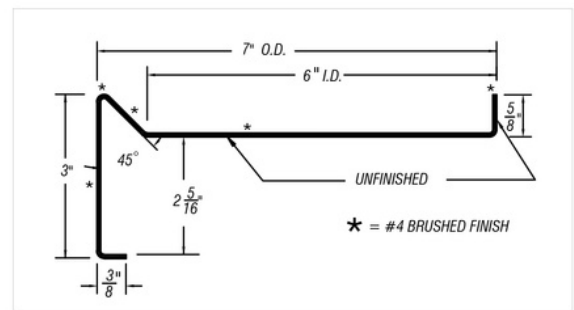


ARCH HARDWARE

SLOPED DRINK RAIL WITH LOOSE GLASS RINSER AND DRAIN COUPLING - CENTER



FLOOR PLAN



SECTION A

PART #	NAME	MATERIAL	FINISH
DR458-6-GRSD-2	Sloped Drink Rail with Loose Glass Rinser & Loose Drain Coupling - Center	16 Ga. Stainless Steel #304 alloy	Satin (#4 Brush)



Phone
(800)-679-2614



Email
webstore@archhardware.net

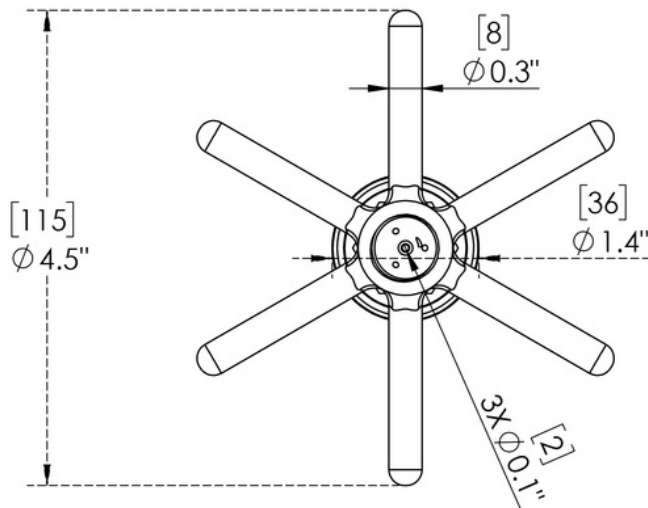


Address
303 Maler Rd., Sealy, TX 77474

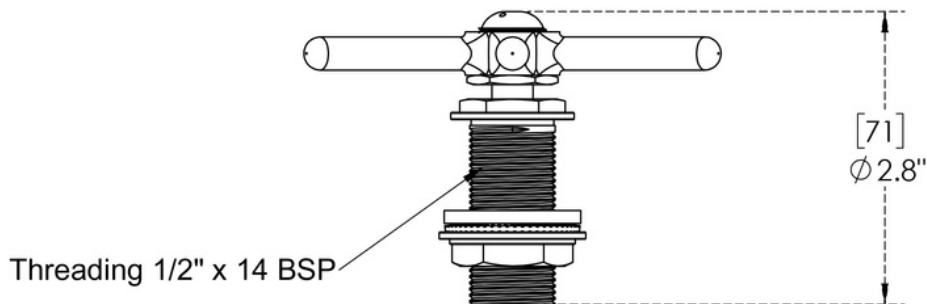


ARCH HARDWARE

LOOSE GLASS RINSER



Top View



Front View

GLASS RINSER	PART #	NAME	FINISH
BRAND: KROME	DR-RINSER	Pitcher Rinser Spray Assembly	Chrome Plated
<ul style="list-style-type: none"> • Upgraded model with improved valve, sprayer and star. • Cold Water Use Only. 			



Phone
(800)-679-2614



Email
webstore@archhardware.net

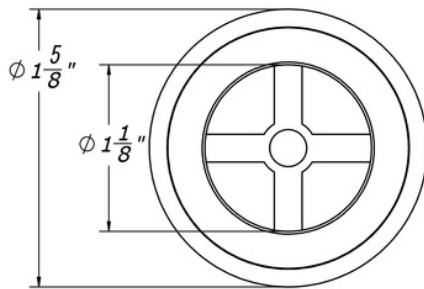


Address
303 Maler Rd., Sealy, TX 77474

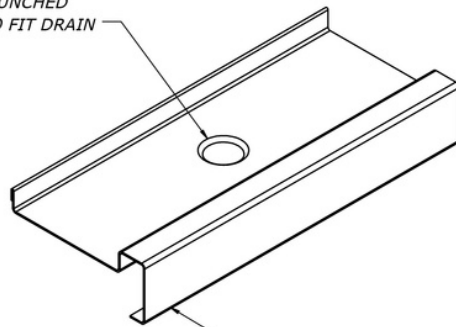


ARCH HARDWARE

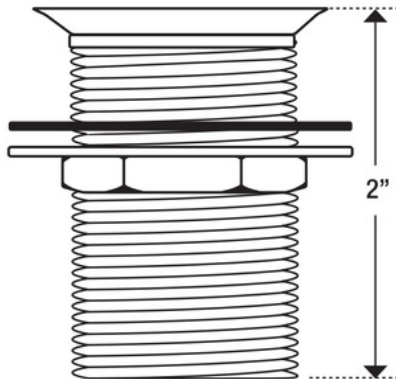
LOOSE SMALL SINK DRAIN COUPLING



1 1/4" PUNCHED
HOLE TO FIT DRAIN



DRINK RAIL SOLD
SEPARATELY



DRAIN COUPLING	PART #	NAME	DRAIN SIZE	INLET
BRAND: KROWNE	23-120	1-1/4" Slanted Top Drain	1-1/4"	1" NPT Male
<ul style="list-style-type: none"> • For 1-1/4" sink and ice bin openings • Tapered top • Locknut and washer included • Uses 23-155 Overflow 				



Phone
(800)-679-2614



Email
webstore@archhardware.net



Address
303 Maler Rd., Sealy, TX 77474