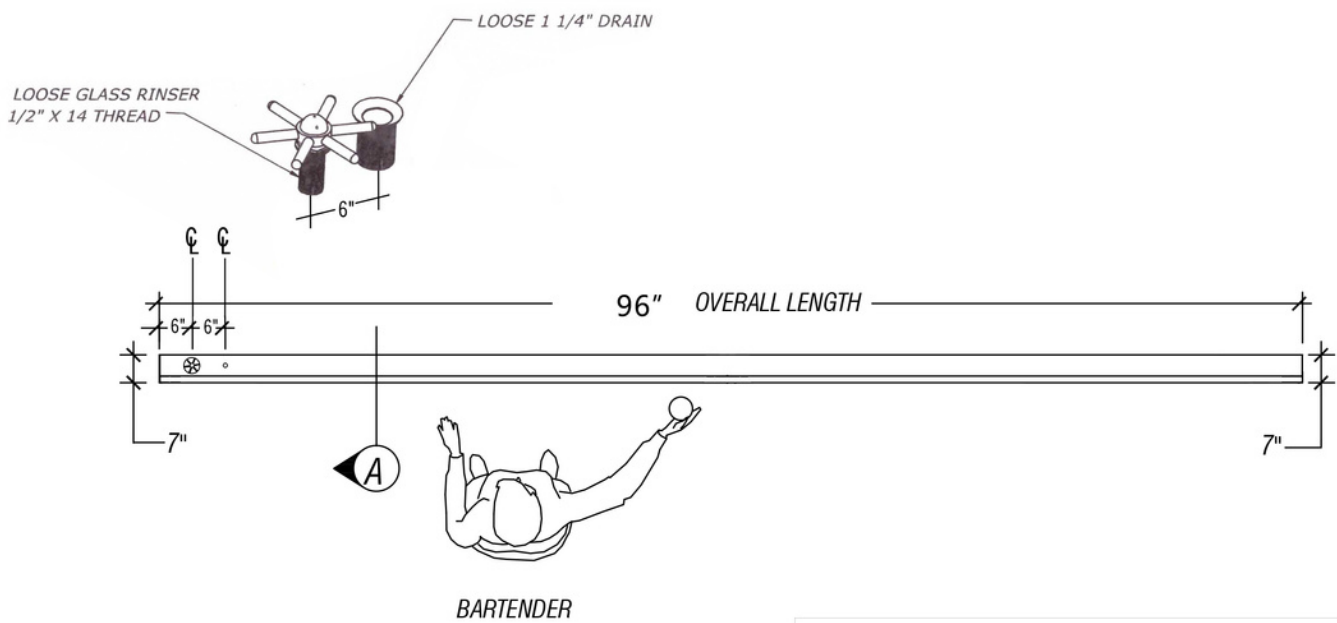


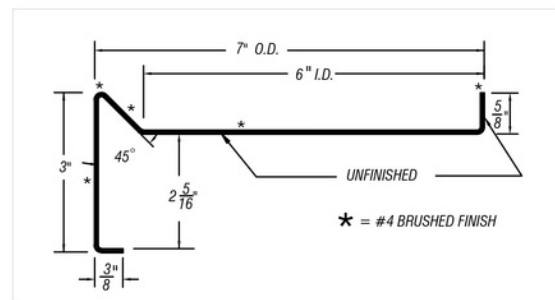


# ARCH HARDWARE

## SLOPED DRINK RAIL WITH LOOSE GLASS RINSER AND DRAIN COUPLING - LEFT



FLOOR PLAN



SECTION A

PART #	NAME	MATERIAL	FINISH
DR458-6-GRSD-1	Sloped Drink Rail with Loose Glass Rinser & Loose Drain Coupling - Left.	16 Ga. Stainless Steel #304 alloy	Satin (#4 Brush)



Phone  
(800)-679-2614



Email  
webstore@archhardware.net

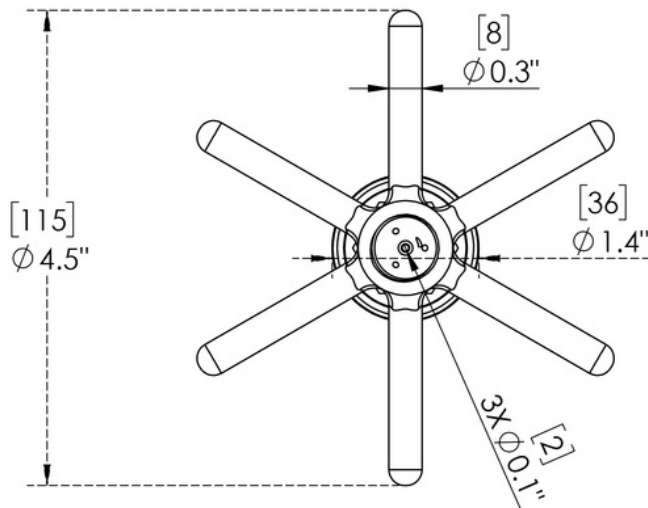


Address  
303 Maler Rd., Sealy, TX 77474

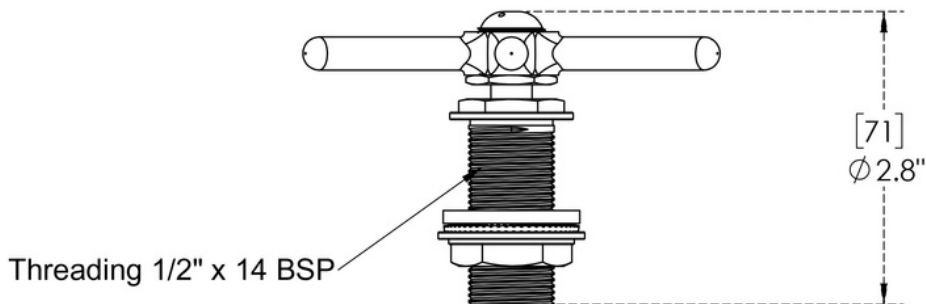


# ARCH HARDWARE

## LOOSE GLASS RINSER



Top View



Front View

GLASS RINSER	PART #	NAME	FINISH
BRAND: KROME	DR-RINSER	Pitcher Rinser Spray Assembly	Chrome Plated
<ul style="list-style-type: none"> <li>• Upgraded model with improved valve, sprayer and star.</li> <li>• Cold Water Use Only.</li> </ul>			



Phone  
(800)-679-2614



Email  
webstore@archhardware.net

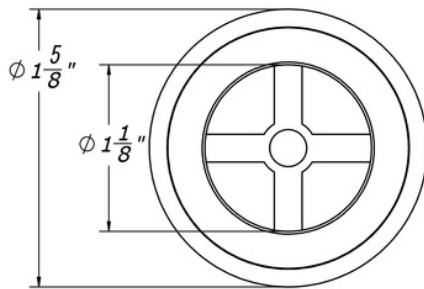


Address  
303 Maler Rd., Sealy, TX 77474

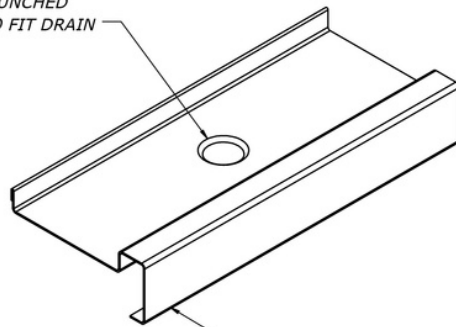


# ARCH HARDWARE

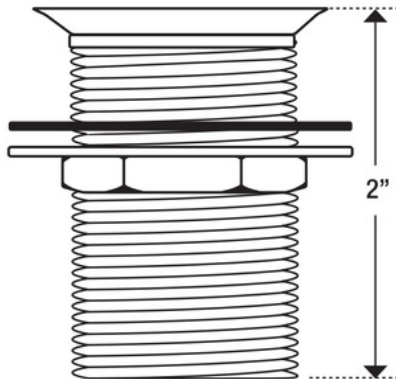
## LOOSE SMALL SINK DRAIN COUPLING



1 1/4" PUNCHED  
HOLE TO FIT DRAIN



DRINK RAIL SOLD  
SEPARATELY



DRAIN COUPLING	PART #	NAME	DRAIN SIZE	INLET
BRAND: KROWNE	23-120	1-1/4" Slanted Top Drain	1-1/4"	1" NPT Male
<ul style="list-style-type: none"> <li>• For 1-1/4" sink and ice bin openings</li> <li>• Tapered top</li> <li>• Locknut and washer included</li> <li>• Uses 23-155 Overflow</li> </ul>				



Phone  
(800)-679-2614



Email  
webstore@archhardware.net



Address  
303 Maler Rd., Sealy, TX 77474