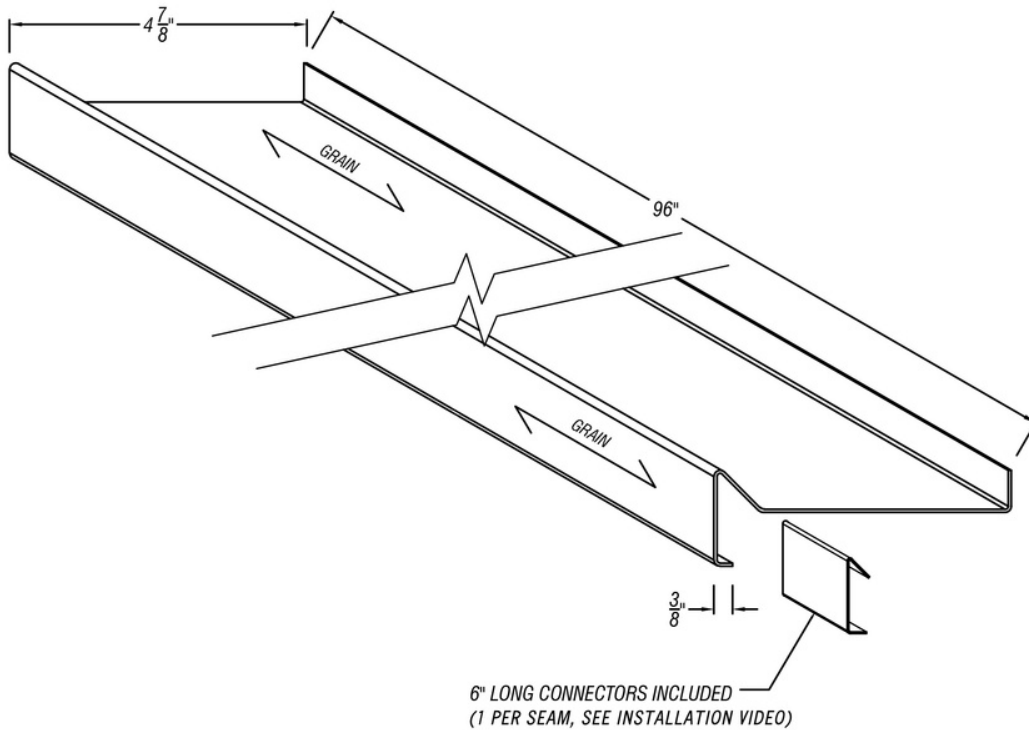


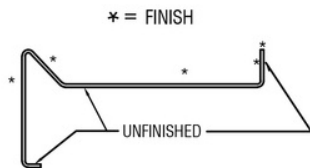


ARCH HARDWARE

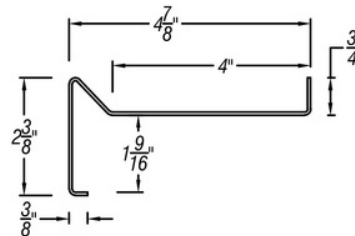
SLOPED DRINK RAIL 4" CHANNEL - 2 3/8" FACE



ISOMETRIC VIEW



FINISH DETAIL



SIDE VIEW

PART #	MATERIAL	FINISH
DR458-4-2	18 Ga. Stainless Steel #304 alloy	Satin (#4 Brush)
DR458RC-4-2	16 Ga. Copper #110 alloy	Raw with wax
DR458HC-4-2	16 Ga. Copper #110 alloy	Hairline with wax



Phone
(800)-679-2614



Email
webstore@archhardware.net



Address
303 Maler Rd., Sealy, TX 77474