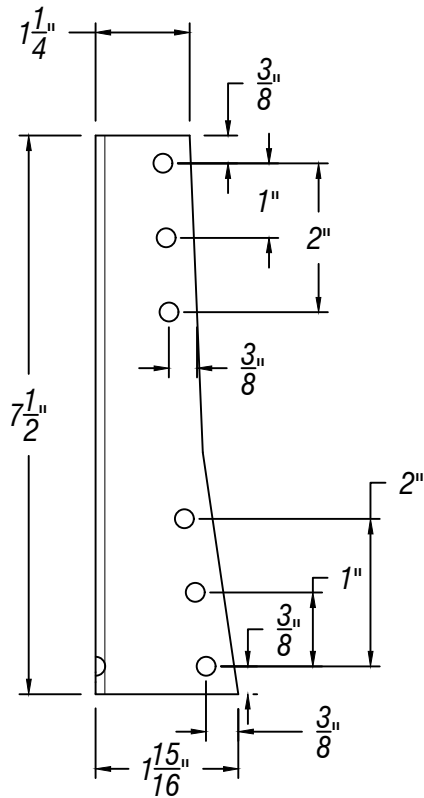
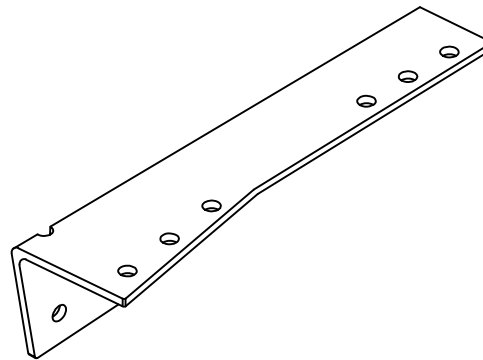


DRINK RAIL ANGLE BRACKET



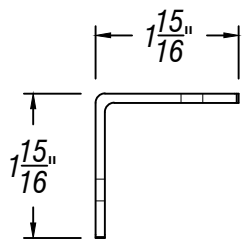
TOP VIEW

NTS



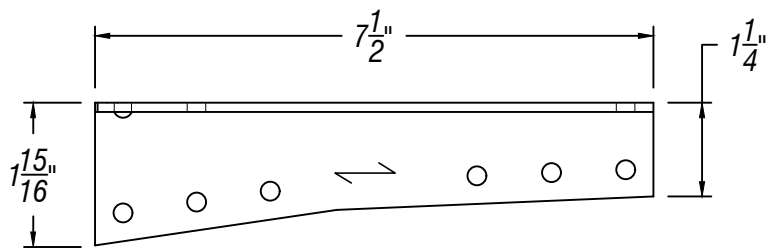
ISOMETRIC VIEW

NTS



FRONT VIEW


NTS



SIDE VIEW

NTS

↔ = GRAIN DIRECTION

PART #	FINISH SCHEDULE	DRAWN : GV	 ARCH HARDWARE, INC. "WHERE IDEAS MEET METAL"
DR-UB-2x10.25	SATIN STAINLESS STEEL #304 ALLOY	CHECKED : RD	
		DATE : 08/06/2020	