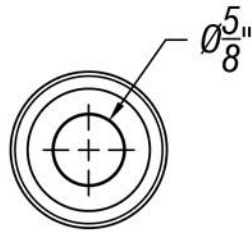
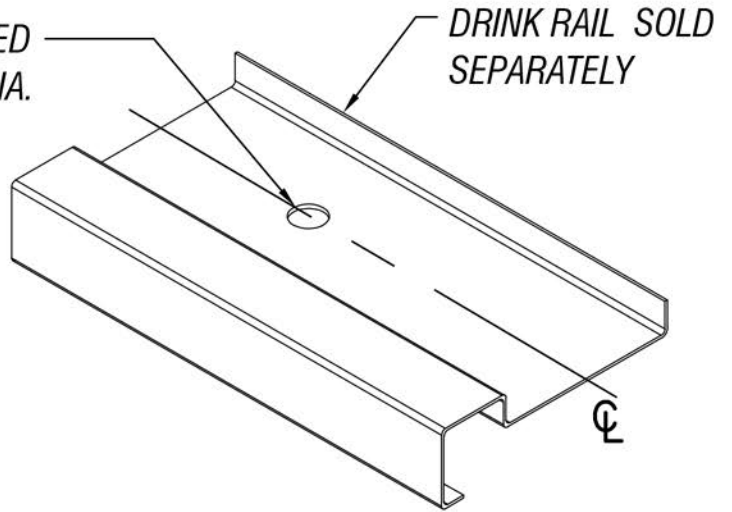


# DRINK RAIL COUPLING



RECOMMENDED  
HOLE SIZE 1" DIA.

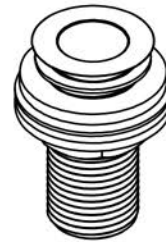
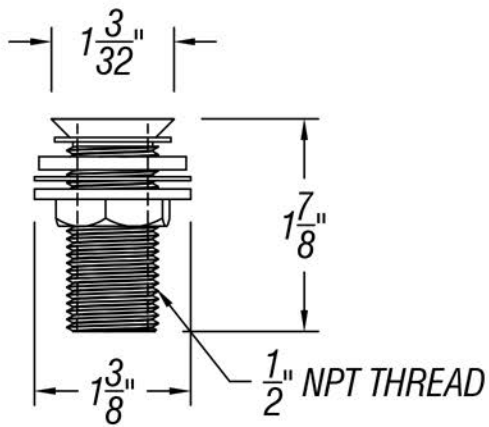


TOP VIEW

NTS

RECOMMENDED HOLE SIZE

NTS



SIDE VIEW

NTS

ISOMETRIC VIEW

NTS

PART#

FINISH

DRAWN :

GV

DR-DC-0

CHECKED :

RD



ARCH HARDWARE, INC.  
"WHERE IDEAS MEET METAL"