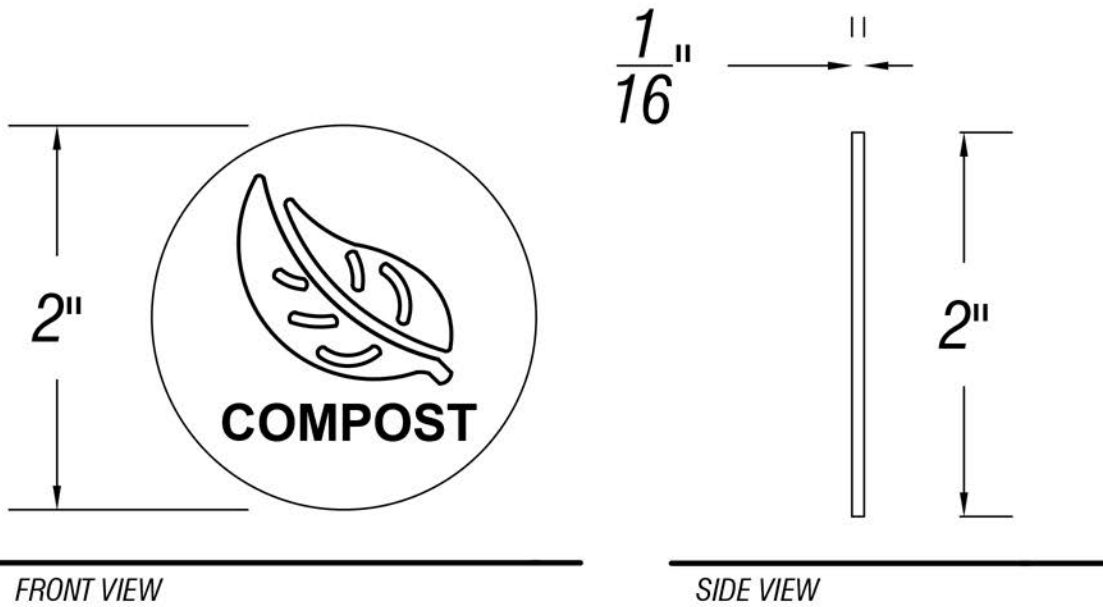




ARCH HARDWARE

ALUMINIUM COMPOST LOGO



PART #	MATERIAL	FINISH
BCL1010-2	1/16" Thick Aluminum	Clear Anodized, Bead Blasted Raw
BCL1010-2B	1/16" Thick Aluminum	Clear Anodized, Bead Blasted & Black Filled



Phone
(800)-679-2614



Email
webstore@archhardware.net



Address
303 Maler Rd., Sealy, TX 77474